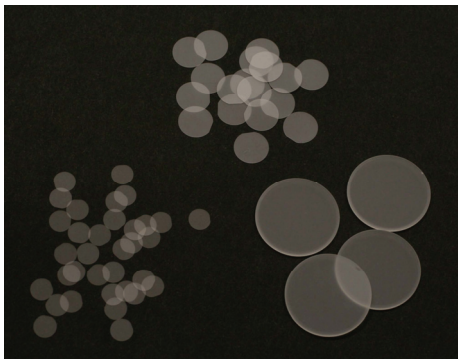


Document Name	Round Blank (PLANO-PLANO)				
Page	1 / 1	Revision	PLPL-RD-0001	Date of Issue	2007/08/20

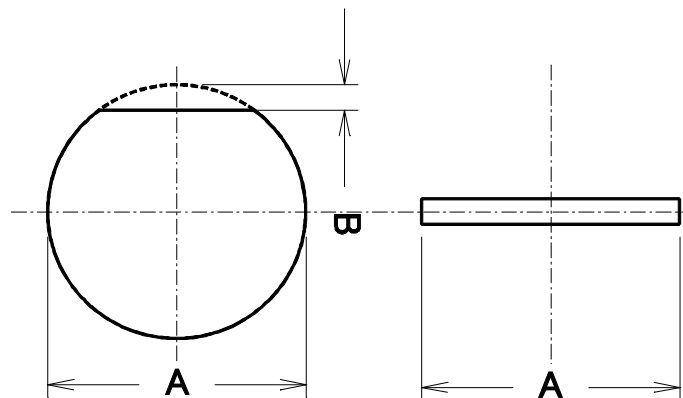
PLANO-PLANO BLANK SPECIFICATION

	Parameter	Specification
1	Diameter (A)	2.00 – 20.00mm +0.00 / -0.05
2	Edge Finish	#1000
3	Flat Direction	+X / -X / ZZ
4	Flatness (B)	As Customer's Requirement Single or Double Flat
5	XX Angle	0°00'00"±20'
6	ZZ Angle	As Customer's Requirement
7	Angle Tolerance	±7.5" / ±15" /±30" /±1' or Wider
8	Angle Sorting	EFG Angle Sorting is possible
9	Frequency in Fundamental	800KHz to 70.000MHz (PLANO-PLANO)
10	Surface	1μm - 20μm
11	Material	Q Value : Minimum 2.4 million Etch Cannel : Less than 100/cm ² or Low Etch Channel (Less than 10/cm ²)

PRODUCT IMAGE



Standard Drawing



GLOBAL CO., LTD.

Address : 1160 Asari Chuo
Yamanashi 400-1514 JAPAN
Tel : +81-55-269-3311 Fax : +81-55-269-2322
URL : www.global-j.com Mail : info@global-j.com